

(12) **United States Design Patent**
Wygant

(10) **Patent No.:** **US D478,146 S**
(45) **Date of Patent:** **** Aug. 5, 2003**

- (54) **PNEUMATIC GUN BOLT**
- (76) Inventor: **Steven J. Wygant**, 65695 US 33,
Goshen, IN (US) 46526
- (**) Term: **14 Years**
- (21) Appl. No.: **29/168,732**
- (22) Filed: **Oct. 7, 2002**
- (51) **LOC (7) Cl.** **22-01**
- (52) **U.S. Cl.** **D22/108**
- (58) **Field of Search** **D22/100, 108,**
D22/199; 124/49, 50, 71, 72, 73, 74, 75,
76, 77, 78, 81; 89/198

- 5,913,303 A 6/1999 Kotsiopoulos
- 5,967,133 A 10/1999 Gardner, Jr.
- 6,035,843 A 3/2000 Smith et al.
- 6,142,136 A * 11/2000 Velasco 124/73 X
- 6,213,112 B1 * 4/2001 Squire 124/74
- 6,418,920 B1 7/2002 Marr
- 6,532,949 B1 * 3/2003 McKendrick 124/77
- 2003/0000511 A1 * 1/2003 Moritz 124/73

* cited by examiner

Primary Examiner—Louis S. Zarfaz
Assistant Examiner—Monica A. Weingart

(57) **CLAIM**

The ornamental design for a pneumatic gun bolt, as shown.

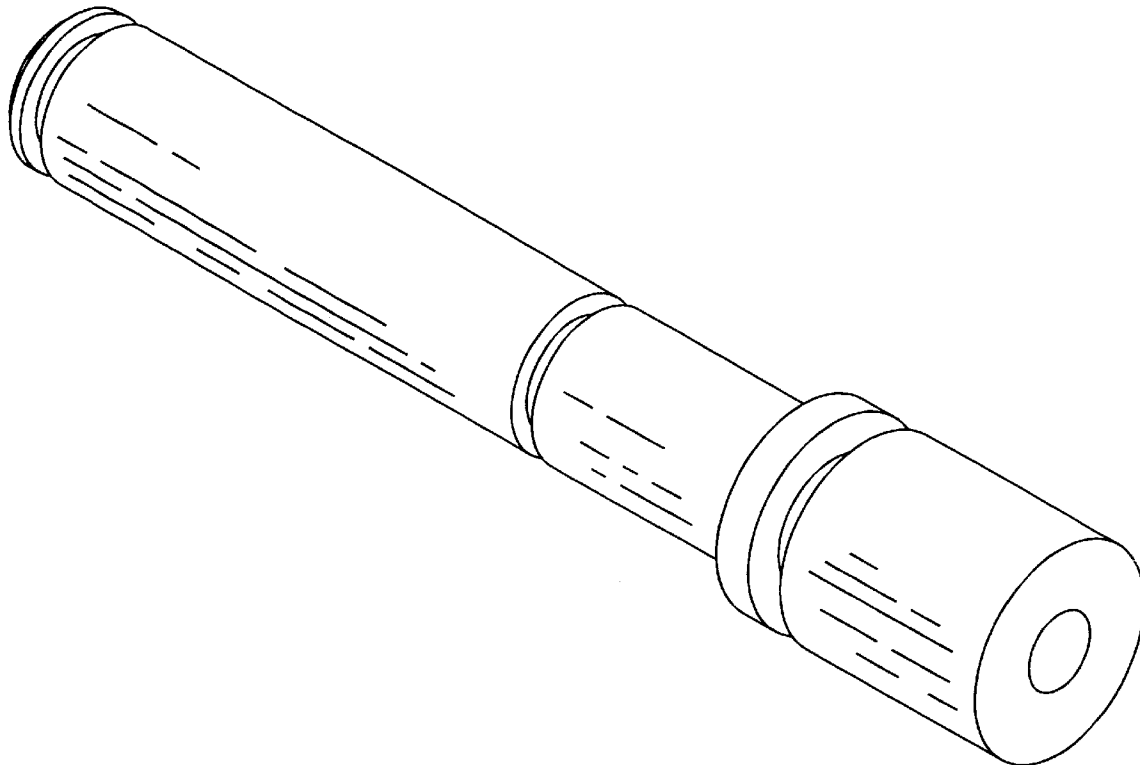
DESCRIPTION

FIG. 1 is an isometric view of a pneumatic gun bolt showing my new design;
FIG. 2 is a side elevational view thereof;
FIG. 3 is an elevational view of the other side thereof;
FIG. 4 is an end elevational view thereof; and,
FIG. 5 is an end elevational view of the opposing end thereof.

1 Claim, 4 Drawing Sheets

(56) **References Cited**
U.S. PATENT DOCUMENTS

- 5,078,118 A 1/1992 Perrone
- 5,280,778 A 1/1994 Kotsiopoulos
- 5,494,024 A 2/1996 Scott
- 5,505,188 A 4/1996 Williams
- 5,509,399 A 4/1996 Poor
- 5,542,406 A * 8/1996 Oneto 124/50 X
- 5,878,736 A 3/1999 Lotuaco, III



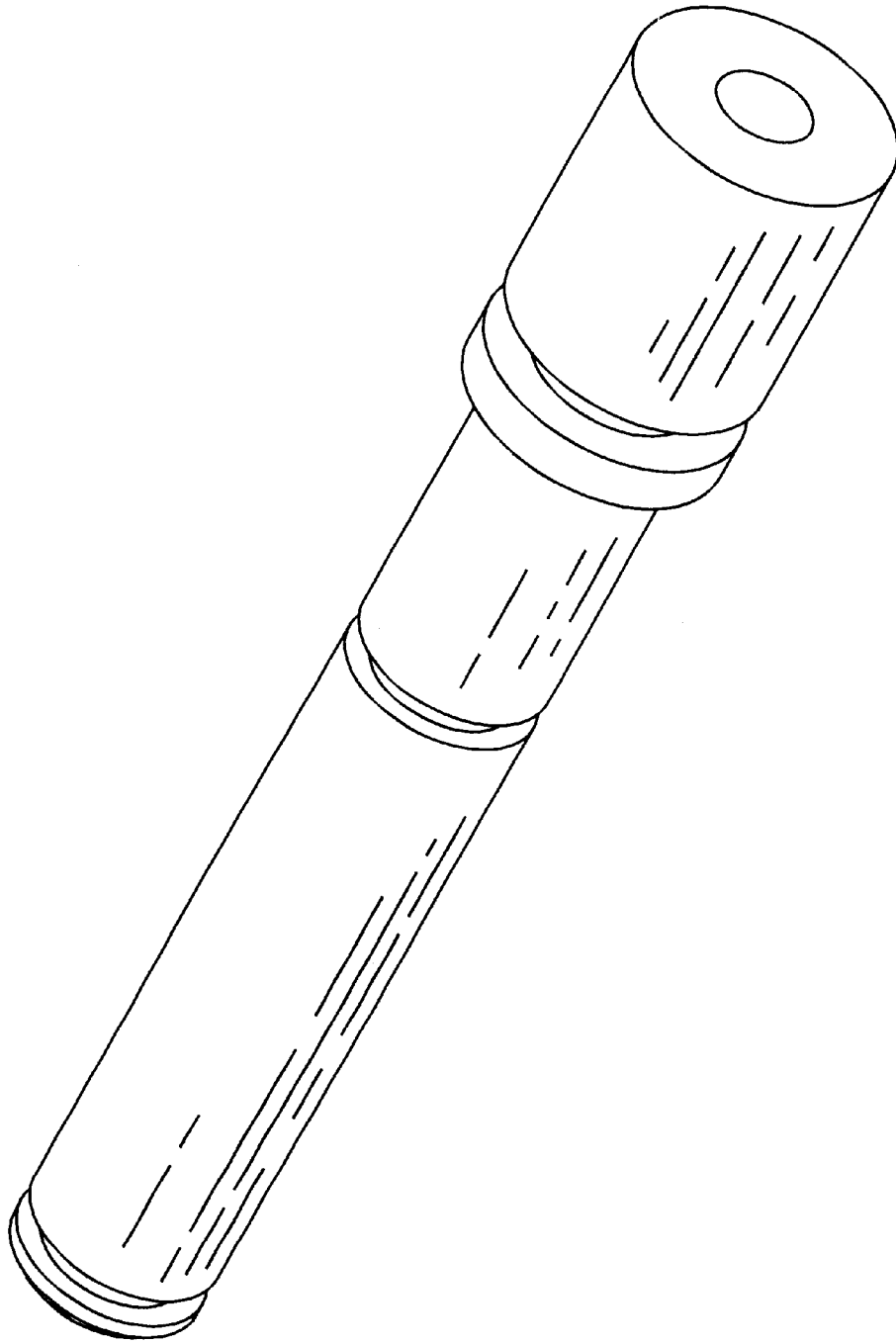


FIG. 1

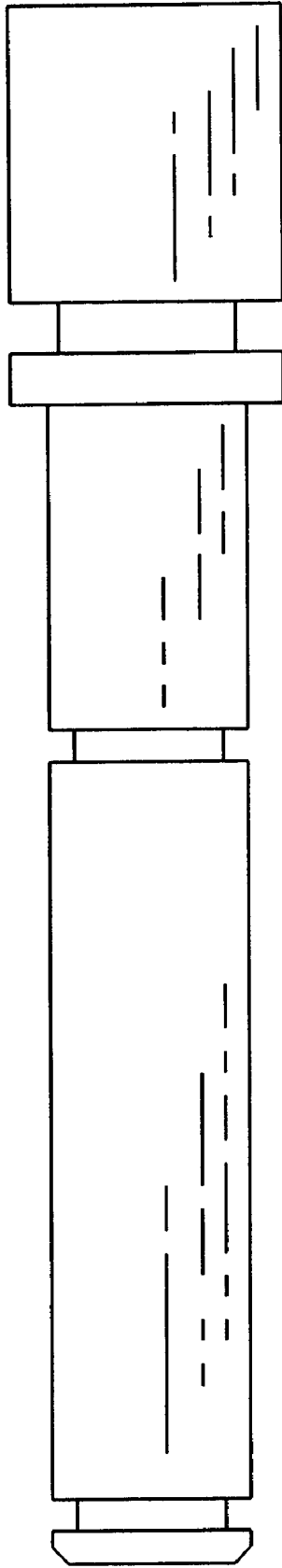


FIG. 2

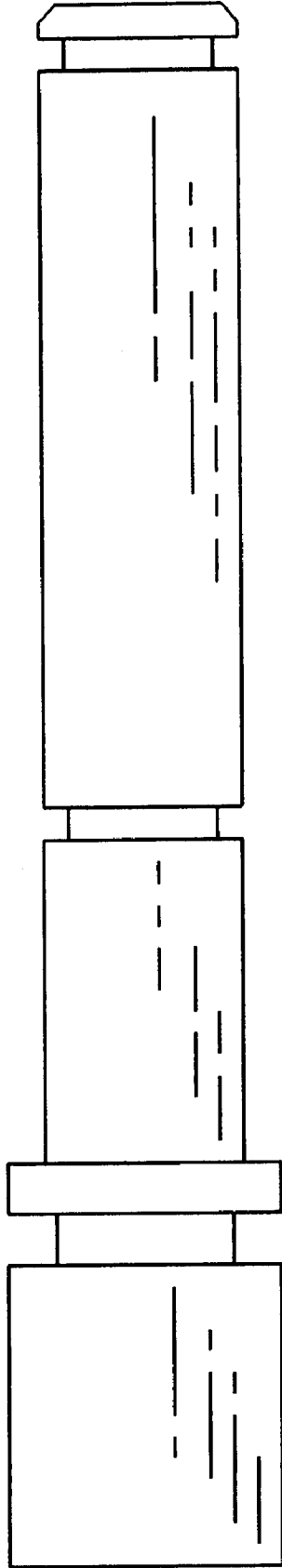


FIG. 3

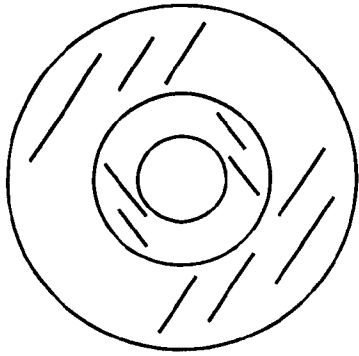


FIG. 5

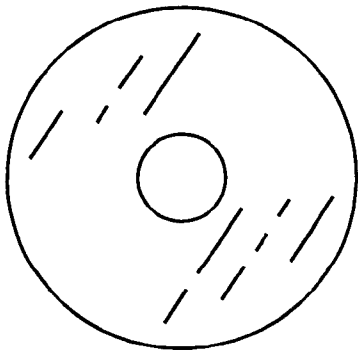


FIG. 4