

(12) **United States Design Patent**
Chang

(10) **Patent No.:** **US D482,081 S**
(45) **Date of Patent:** **** Nov. 11, 2003**

(54) **PAINTBALL GUN**

(75) **Inventor:** **Yong Ling Chang, Ta-Lin Chen (TW)**

(73) **Assignee:** **Kingman International Corporation,**
Baldwin Park, CA (US)

(**) **Term:** **14 Years**

(21) **Appl. No.:** **29/177,622**

(22) **Filed:** **Mar. 12, 2003**

(51) **LOC (7) Cl.** **21-01**

(52) **U.S. Cl.** **D21/573; D21/570; D21/574**

(58) **Field of Search** **D21/567-575;**
D22/103-104, 107-109, 222, 224-225;
446/180, 219, 267, 430, 473, 475; 124/5,
25, 56, 51.1, 71-74, 77, 83; 42/54-55,
71.02; 222/78-79; 273/310-311; 362/110-114

(56) **References Cited**

U.S. PATENT DOCUMENTS

D359,529 S	*	6/1995	Nguyen	D21/572
5,503,137 A	*	4/1996	Fusco	124/56
5,950,611 A	*	9/1999	Lopez et al.	124/72
5,954,042 A	*	9/1999	Harvey	124/51.1
D451,977 S	*	12/2001	Urbano	D22/108
6,349,711 B1	*	2/2002	Perry et al.	124/73

6,474,326 B1	*	11/2002	Smith et al.	124/77
6,520,171 B2	*	2/2003	Reible	124/73
6,520,172 B2	*	2/2003	Perrone	124/74

OTHER PUBLICATIONS

Hong Kong Toys, p. 265, Feb. 1997.*

* cited by examiner

Primary Examiner—Raphael Barkai

(74) *Attorney, Agent, or Firm*—Blakely, Sokoloff, Taylor & Zafman LLP

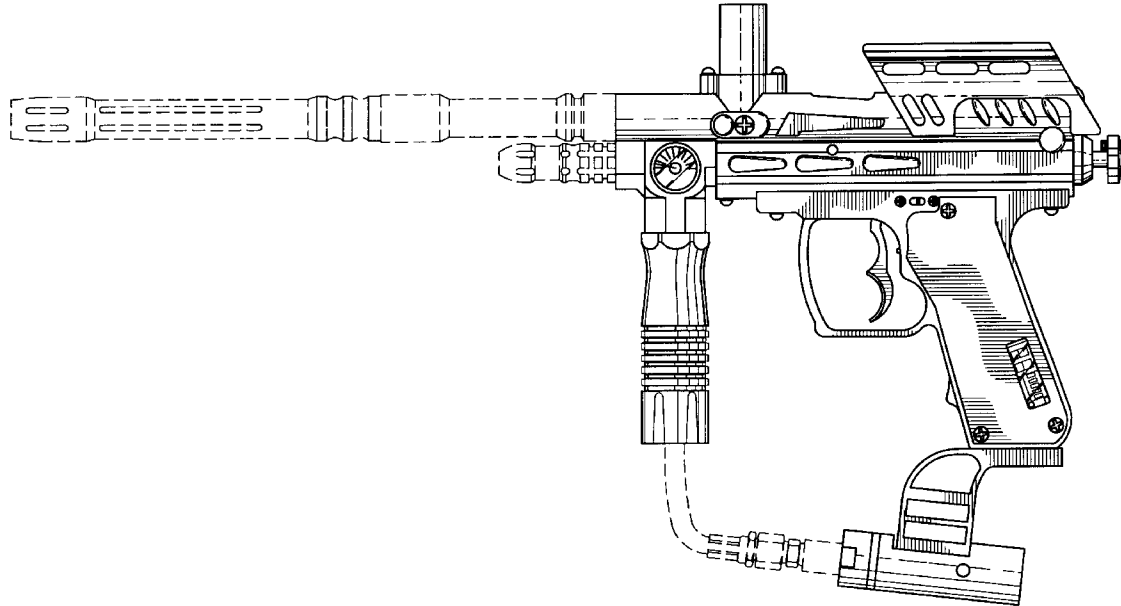
(57) **CLAIM**

The ornamental design for a paintball gun, as shown and described.

DESCRIPTION

FIG. 1 is a right side view of a paintball gun of the invention. FIG. 2 is a left side view of the paintball gun of FIG. 1. FIG. 3 is a front view of the paintball gun of FIG. 1. FIG. 4 is a rear view of the paintball gun of FIG. 1. FIG. 5 is a top view of the paintball gun of FIG. 1; and, FIG. 6 is a bottom view of the paintball gun of FIG. 1. The broken lines in the figures are for environmental purpose only and form no part of the claimed design.

1 Claim, 4 Drawing Sheets



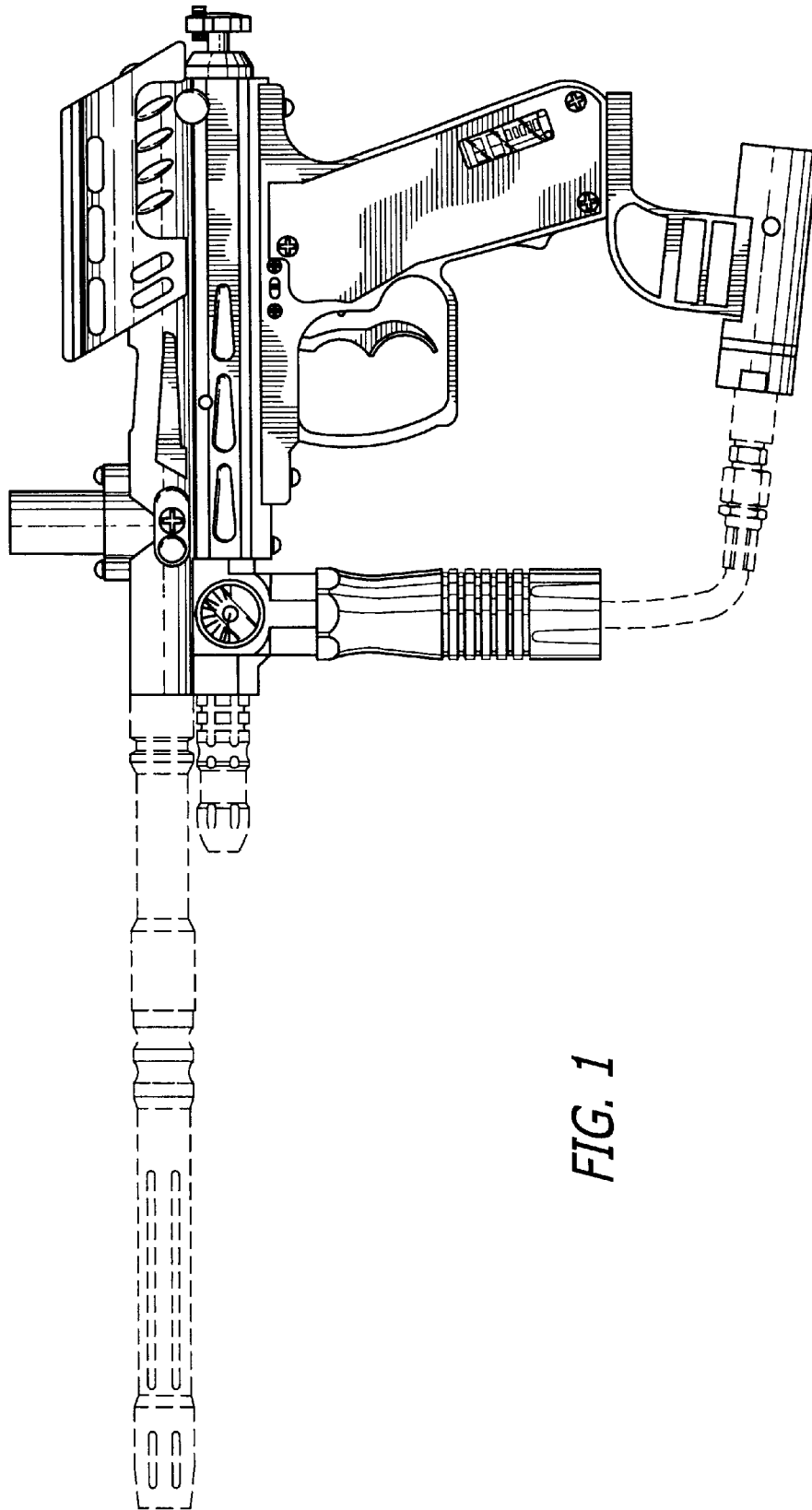


FIG. 1

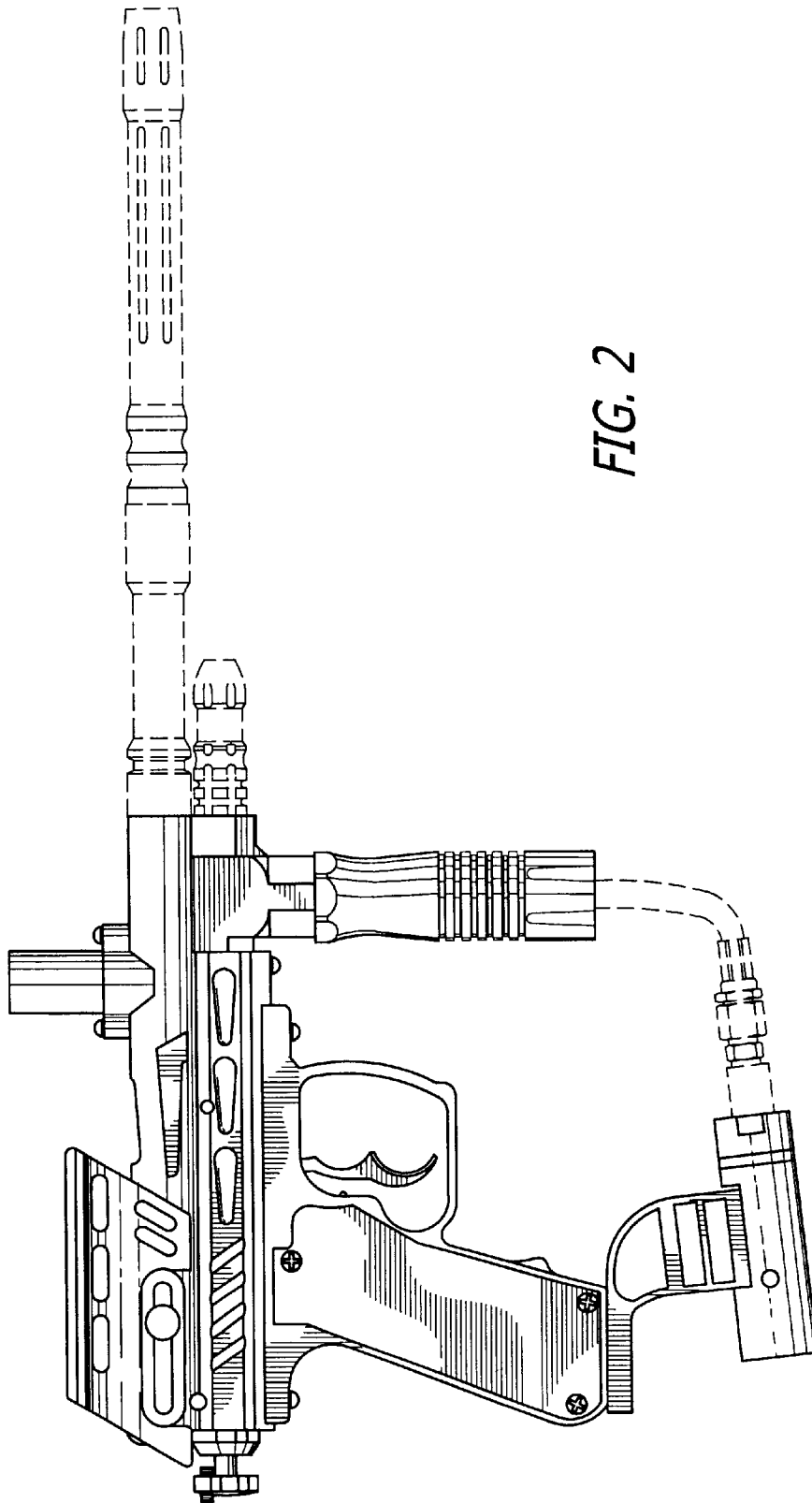


FIG. 2

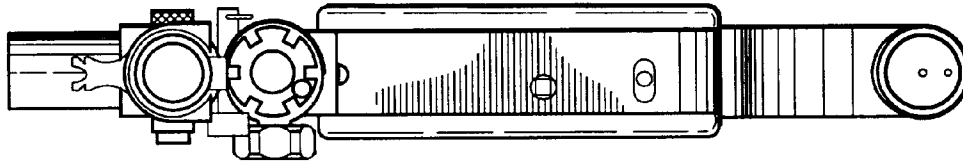


FIG. 4

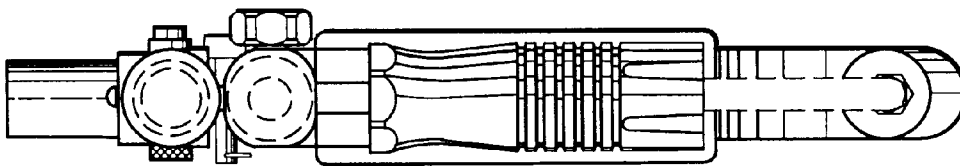


FIG. 3

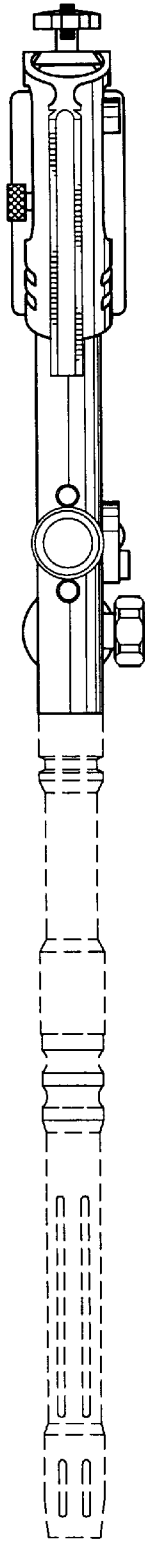


FIG. 5

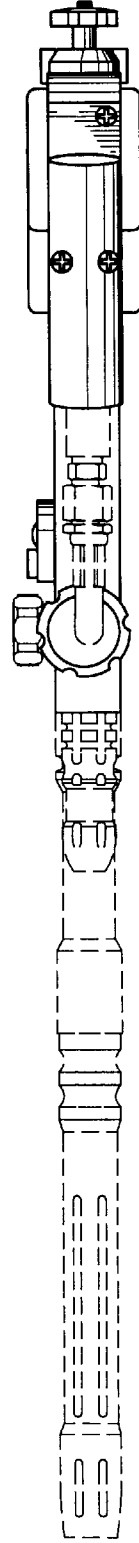


FIG. 6